

4

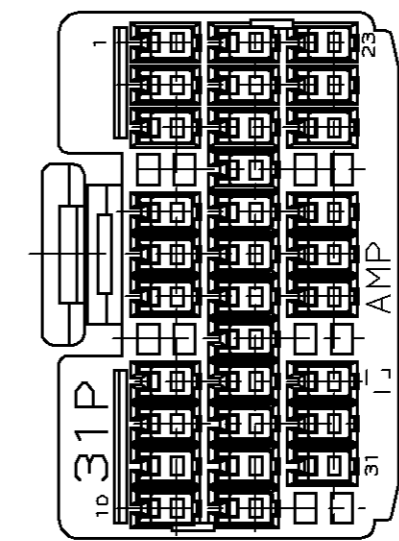
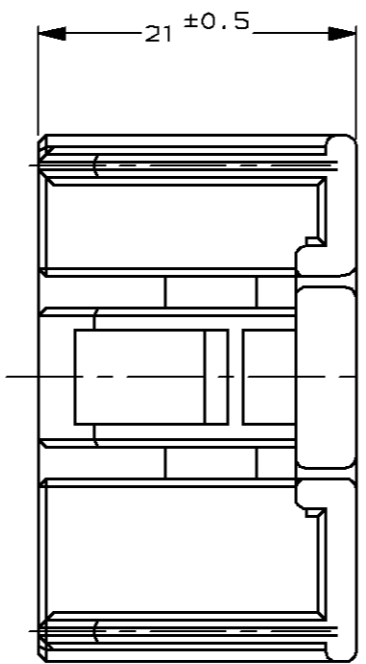
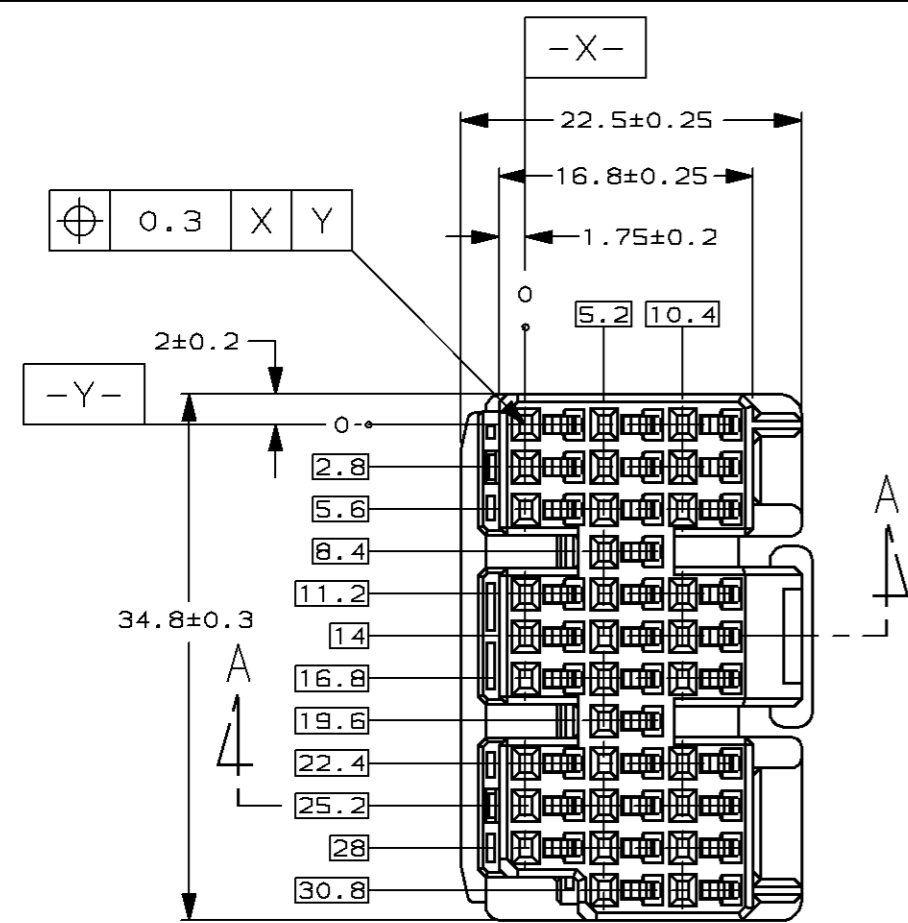
3

2

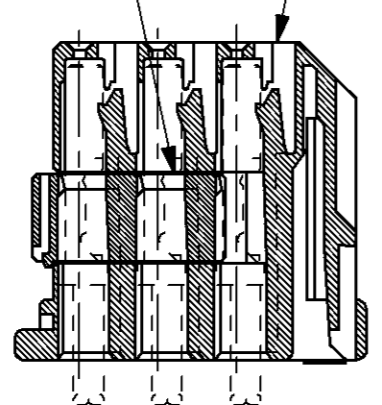
1

THIS DRAWING IS UNPUBLISHED. RELEASED FOR PUBLICATION, 19 .  
 © COPYRIGHT 19 BY AMP INCORPORATED. ALL RIGHTS RESERVED.

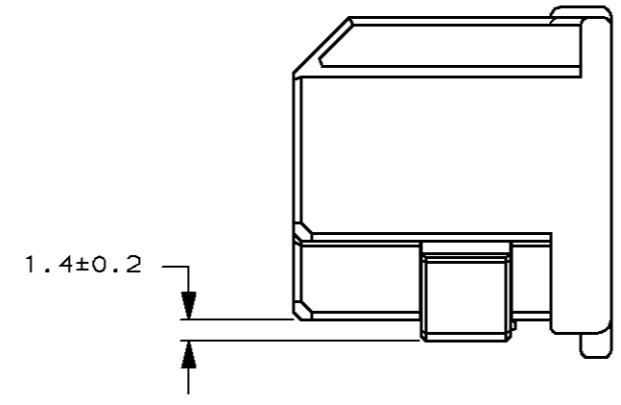
LOC	DIST	REVISIONS			
P	LTR	DESCRIPTION	DATE	DWN	APVD
FX	55	C	REVISE PER EC 0K80-0103-98	7-31-98	JLM RS



DOUBLE LOCK PLATE — PLUG HOUSING



SECTION A-A



NOTES;

1. THE MATING CAP HOUSING PART NUMBER, 179684, 179686
2. APPLIED CONTACT PART NUMBER, 175265

BLUE	179680-5
COLOR	P/N

THIS DRAWING IS A CONTROLLED DOCUMENT.		DWN J MCNEAL 7-31-98	<b>AMP</b> AMP Incorporated Harrisburg, PA 17105-3608	
DIMENSIONS: mm		CHK R SMITH 7-31-98		
TOLERANCES UNLESS OTHERWISE SPECIFIED:		APVD R SMITH 7-31-98	NAME	
0 PLC ±-		PRODUCT SPEC	.040II HDH I/O CONNECTOR	
1 PLC ±-		108-5441	31 POSN PLUG ASSY	
2 PLC ±0.15		APPLICATION SPEC	SIZE	CAGE CODE
3 PLC ±-			—	—
4 PLC ±-		WEIGHT	DRAWING NO	
ANGLES ±3°		8.1 GRAMS	A3 00779 C- 179680	
MATERIAL PBT	FINISH —	CUSTOMER DRAWING	RESTRICTED TO	—
		SCALE 2:1	SHEET 1 OF 1	REV C